

OIL-INJECTED ROTARY SCREW COMPRESSORS

GX 2-5/GX 7-11 (2-11 kW/3-15 hp)



Atlas Copco





GX SERIES: SCREW COMPRESSORS BUILT TO LAST

Atlas Copco screw compressors have always set the standard for reliability and performance in the compressed air industry. With the new GX 2-5 and GX 7-11, Atlas Copco brings the power and reliability of an industrial screw compressor to any type of small and medium sized industries.



BUILT-IN RELIABILITY

- Rugged screw compressor technology for a 100% continuous duty cycle.
- Up to 46°C ambient temperature conditions through the selection of robust components.
- Electropneumatic operated inlet valve for stable running and long life time.

EASY INSTALLATION

- Multiple variants (floor or tank mounted, with or without integrated dryer) for full flexibility.
- Minimum footprint and cooling air discharge from the top allows placement against the wall or in a corner.
- Plug and play concept thanks to easy installation.
- Installation close to the point of use thanks to low sound levels.



SIMPLE AND QUICK MAINTENANCE

- Grouped service points accessible through the removable panel.
- Spin-on oil separator and filter for easy maintenance.
- Continuous oil level display without panel removal.



GX 2-5

COMPACT AND ECONOMICAL

- Compared to piston compressors, the GX offers reduced energy consumption and high efficiency.
- The rotary screw technology minimizes vibrations for silent operation at the lowest initial investment.
- The standard start/stop control on the GX 2-5 ensures the compressor only consumes power when compressed air is needed.

GX 7-11

INDUSTRY-LEADING PERFORMANCE

- Thanks to load/no load control, the compressor controller switches automatically to the optimum control mode for high, low and intermittent air consumption.
- Best-in-class performance, total reliability and low power consumption.



EXCELLENCE IN QUALITY AIR

Untreated compressed air contains moisture, aerosols and dirt particles that can damage your system and contaminate your end product. Atlas Copco's GX compressors provide the clean, dry air that improves reliability, avoiding costly downtime and safeguarding your end products. An integrated dryer and an in-line air filter installed in the Full Feature variants do the job perfectly.

FULL FEATURE AIR DRYER

The GX 2-11 & FF is available with an advanced built-in refrigerant air dryer. This dryer cools the compressed air and removes water before it can enter your compressed air network preventing rust in your compressed air piping and avoiding damage to your air tools.

IN-LINE AIR FILTER

To make your compressed air system work fine in a variety of applications, different grade integrated air filters can be selected on GX 2-11 & FF units.

FLOW CHART

AIR FLOW

1. Inlet air filter
2. Inlet valve
3. Compression element
4. Oil separator element
5. Minimum pressure valve
6. Aftercooler
7. Air receiver

OIL FLOW

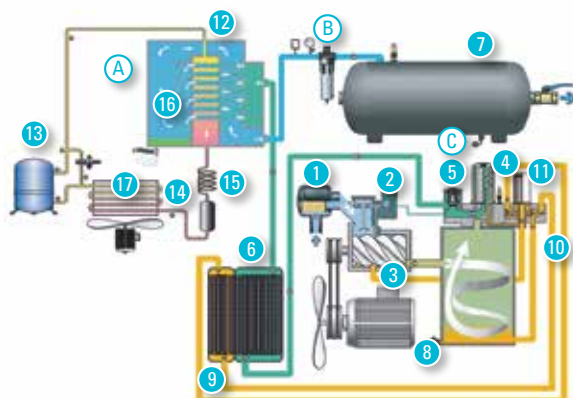
8. Oil reservoir
9. Oil cooler
10. Thermostatic valve block
11. Oil filter

REFRIGERANT FLOW

12. Evaporator
13. Refrigerant compressor
14. Condenser
15. Capillary tube
16. Water separator
17. Electronic automatic drain

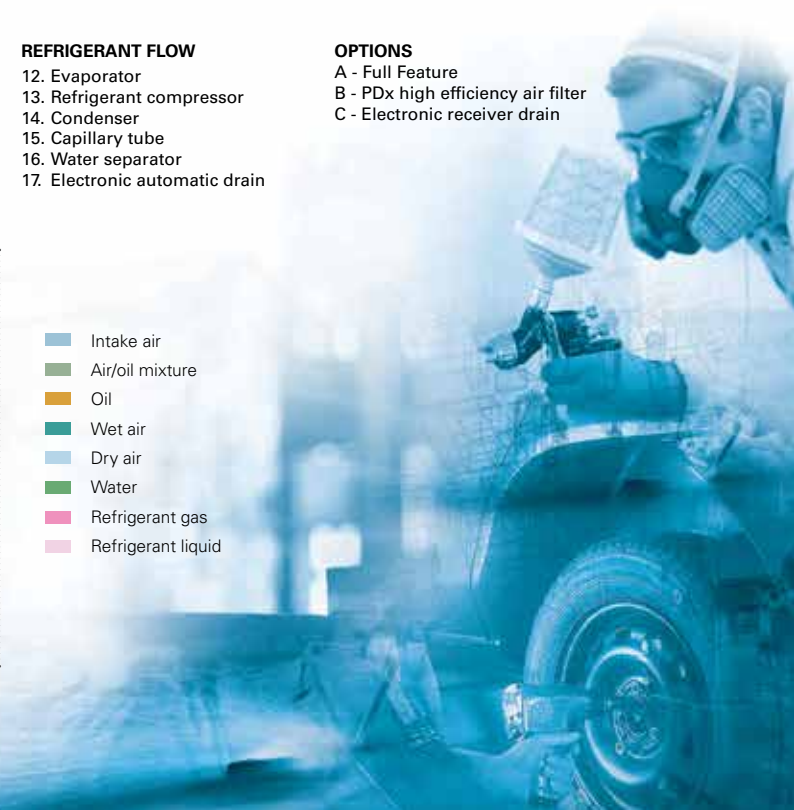
OPTIONS

- A - Full Feature
- B - PDx high efficiency air filter
- C - Electronic receiver drain



- Intake air
- Air/oil mixture
- Oil
- Wet air
- Dry air
- Water
- Refrigerant gas
- Refrigerant liquid

Typical flow chart for the GX 7-11 FF





TECHNICAL SPECIFICATIONS GX 2-3-4-5-7-11

COMPRESSOR TYPE	Max. working pressure		Capacity FAD			Installed motor power		Noise level	Weight (kg/lbs)*	
	bar(e)	psi	l/s	m ³ /min	cfm	kW	hp	dB(A)	Pack	Full Feature
50 Hz VERSION										
GX 2	10	145	4.0	0.24	8.5	2.2	3	61	165/364	200/441
GX 3	10	145	5.3	0.32	11.2	3	4	61	165/364	200/441
GX 4	10	145	7.8	0.47	16.5	4	5	62	165/364	200/441
GX 5	10	145	10.0	0.6	21.2	5.5	7.5	65	165/364	200/441
GX 7	7.5	109	19.6	1.18	41.5	7.5	10	65	270/595	365/805
GX 11	10	145	15.7	0.94	33.3	7.5	10	65	270/595	365/805
	13	189	12.2	0.73	25.9	7.5	10	65	270/595	365/805
	7.5	109	26.6	1.6	56.4	11	15	67	295/650	385/849
	10	145	23.1	1.39	48.9	11	15	67	295/650	385/849
	13	189	19.0	1.14	40.3	11	15	67	295/650	385/849

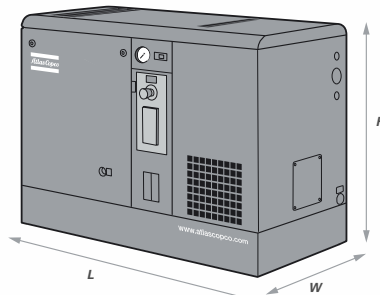
* Tank mounted variant.

* Unit performance measured according to ISO 1217, Ed. 3, Annex C-1996

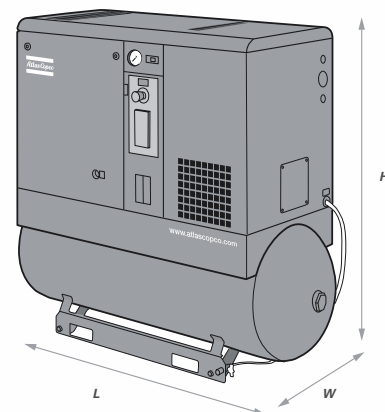
** Mean noise level measured according to ISO 2151, tolerance 3 dB(A).

*** Standard air receiver size, GX 2-5: 200 l/60 gal, GX 7-11: 270 l/72 gal.

	L (mm)	W (mm)	H (mm)
PACK FLOOR MOUNTED			
GX 2-5	N/A	N/A	N/A
GX 7-11	840	700	1085
FULL FEATURE FLOOR MOUNTED			
GX 2-5	N/A	N/A	N/A
GX 7-11	1235	700	1085
PACK TANK MOUNTED			
GX 2-5	1420	575	1280
GX 7-11	1533	640	1332
FULL FEATURE TANK MOUNTED			
GX 2-5	1420	575	1280
GX 7-11	1533	640	1332



GX 7-11
Floor Mounted



GX 7-11
Tank Mounted



COMMITTED TO SUSTAINABLE PRODUCTIVITY

We stand by our responsibilities towards our customers,
towards the environment and the people around us.
We make performance stand the test of time.
This is what we call – Sustainable Productivity.

Atlas Copco Compressor Technique

Sveanagar, Dapodi, Pune 411 012. Maharashtra, India.
Phone: +91 20 3985 2100. Sales: info.compressor@in.atlascopco.com
Service: ct.service@in.atlascopco.com Website: www.atlascopco.com
Reach us @ 1800 200 0030

Atlas Copco